

Product Data Sheet



1MS102

Semi Conductor Fuse Holder 400 Amps, 600 Volts AC



Wire Range:

(2) 250 kcmil - #6 AWG Copper or Aluminum

Electrical Ratings:

- 400A max (amperage rating based on maximum fuse rating for that physical size)
- 600 Volts AC
- Approved for 200,000 Amp Withstand Rating

Mechanical Ratings:

- Maximum insulator base temperature: 150°C (302°F) UL RTI
- Storage and transportation temperature range: -35°C to 125°C (-31°F to 257°F)
- Flammability rating of insulator base: UL 94 V-0
 - Use outside these ratings needs to be judged in the end-use application.

Materials:

- Connector: High conductivity aluminum, tin plated
- Insulator base: phenolic
- Terminal set screws: Aluminum, tin plated and Steel, nickel plated
- Connector mounting screws: Steel, zinc plated
- Hex-head bolts: Steel, nickel plated (provided unassembled)
- Belleville washers: Steel, zinc plated (provided unassembled)

Agency Approvals:

- UL Listed, UL 512 Terminal Block Standard, File No. IZLT2.E35113
- CE compliant to IEC 60947-1
- RoHS Compliant

Wire Approvals:

Wire Range:

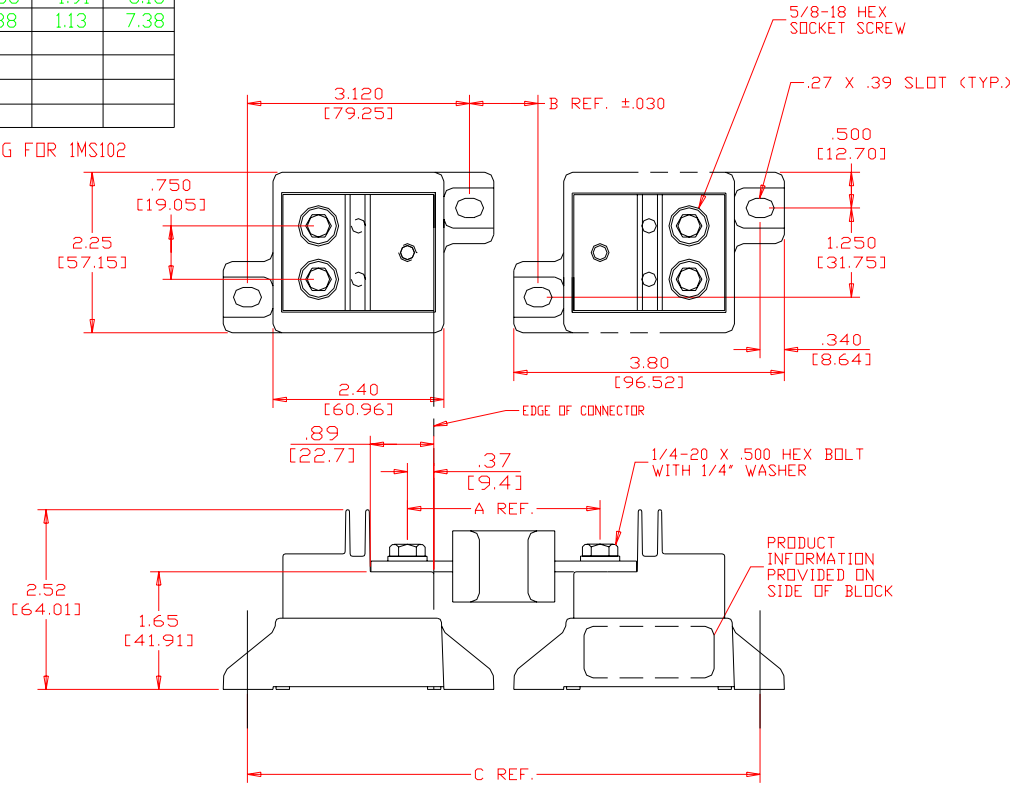
Wire Size	Torque	Copper Wire Stranding Classes - Number of Strands		
		Solid	Class B	Class C
250 kcmil	275 in. lbs		37	61
4/0	275 in. lbs		19	37
3/0	275 in. lbs		19	37
2/0	275 in. lbs		19	37
1/0	275 in. lbs		19	37
1	275 in. lbs		19	37
2	275 in. lbs		7	19
4	275 in. lbs		7	19
6	275 in. lbs		7	19

Aluminum stranded wire range: 250 kcmil – #6 AWG

- Recommended fuse torque (on bolt): 120 in. lbs.
- Wire strip length: 1 1/8"
- Hex key required: 3/8"
- Panel mountable: #10 fastener, torque to 25-30 in. lbs

MOUNTING DIMENSIONS				
FUSE	A REF.	B REF.	C	±.03
L15S 61-450*	1.99	0.24	6.50	
L25S 61-200	2.38	0.63	6.88	
JLLS 110-200	2.50	0.75	7.00	
L60S 101-200	3.66	1.91	8.16	
L50S 101-200	2.88	1.13	7.38	

* CURRENT RATING FOR IMS102
IS 400 AMPS.



WWW.MARATHONSP.COM
1-419-352-8441

PDS 0191 REV B 5/18/09